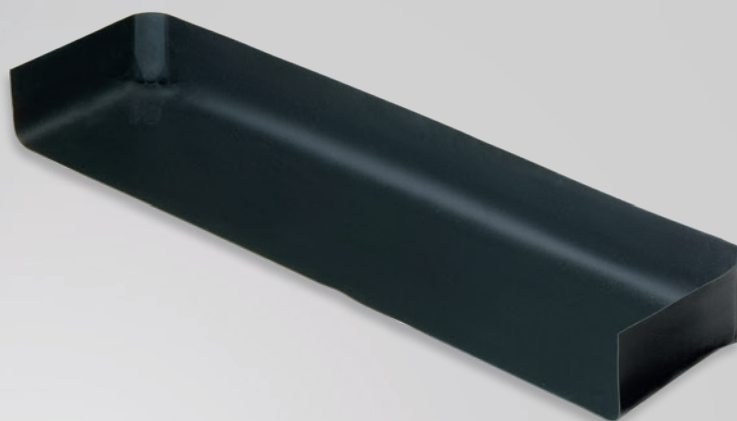


PRODUCT DATA SHEET

ISO-CONNECT EPDM SEALING TRAY



PRODUCT DESCRIPTION

ISO-CONNECT EPDM SEALING TRAY is a sealing system made from highly flexible EPDM. It can be used both as the second sealing level beneath window sills and in the vicinity of threshold connections for floor-level windows and doors.

The main benefit lies in the controlled removal of water or condensation which can collect in the bottom part of windows and doors, and beneath aluminium and stone window sills. In the critical corner areas, the pre-shaped, high-density vulcanised corners ensure a 100% seal. The ISO-CONNECT EPDM SEALING TRAY is individually produced to the precise dimensions, saving both time and money at the installation stage. It also reduces the risk of mistakes during installation and leaks, thus effectively avoiding costly damage to the building.

APPLICATION

The ISO-CONNECT EPDM SEALING TRAY was designed for the professional external sealing of bottom door and window connections and can be used for all types of window. The tray-shaped, closed sealing system is especially useful beneath the window sill and in the vicinity of threshold seals. The sealing system is a versatile and proven sealing foil for use in PVC, wood, metal, window and facade constructions.

ACCESSORIES

ISO-TOP FLEX-ADHESIVE XP for bonding to the window and masonry

PRODUCT ADVANTAGES

- fulfils the specifications for system conformity issued by the Fachverband Wärmedämm-Verbundsysteme e.V. (German Association for External Thermal Insulation Composite Systems)
- meets the recommendations of the Gütegemeinschaft Wärmedämmung von Fassaden e.V. (German Association for the Thermal Insulation of Facades) for the installation of metal and stone window sills
- saves time when sealing the second sealing level
- resistant to driven rain in excess of 1,050 Pa
- high elasticity and mechanical strength
- seals the critical corner areas simply and reliably
- MS polymer adhesive for reliable bonding
- individual and custom-fit production
- material is compatible with aluminium, plastic and stone window sills
- bitumen free
- complies with the requirements of the Building Energy Act (EnEV was valid 31.10.20) and the recommendations of the RAL "installation guide"
- 10 Year Functional Warranty*

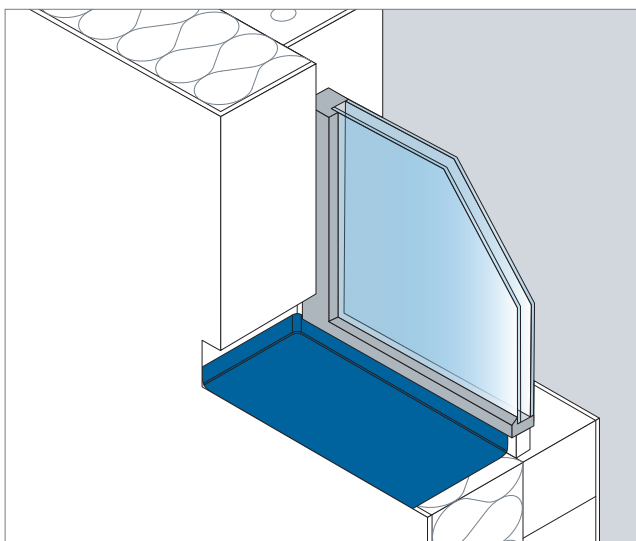
* On the conditions of the manufacturer (available on request).

ISO-CONNECT EPDM SEALING TRAY

Technical data	Standard	Classification
Material description		synthetic caoutchouc on EPDM basis
Colour		black
Building material class	DIN EN 13501-1	E
Air permeability coefficient	DIN EN 12114	airtight $a \leq 0.1 \text{ m}^3/[\text{h}\cdot\text{m}\cdot(\text{daPa})^{2/3}]$
Impermeable to driving rain	DIN EN 1027	$\geq 1050 \text{ Pa}$
Bitumen compatible	DIN 7864 part 1	bitumen compatible
UV stability	DIN 7864 part 1	UV resistant
Ozone resistance	DIN 7864 part 1	ozone resistant
Water vapour diffusion resistance μ	DIN EN 1931	60,000 +/- 18,000
Material thickness		0.8 mm and 1.2 mm
Elongation at break	DIN EN 12311-1	$\geq 450\%$
Tensile strength	DIN EN 12311-1	$\geq 350 \text{ N}/50 \text{ mm}$
Maximum tear resistance	DIN EN 12310-1	$\geq 90 \text{ N}$
Temperature stability range		-30 °C to +110 °C
Handling temperature		+5 °C to +35 °C
Dimension tolerance	DIN 7715 part 5 P3	requirements fulfilled
Storage temperature		+1 °C to +25 °C
Shelf life		unlimited, stored dry and in original packing

APPLICATION

The ISO-CONNECT EPDM SEALING TRAY is pre-shaped individually sized. The installer can thus attach it quickly and easily to the window, and bond it correctly. We recommend using the MS polymer adhesive ISO-TOP FLEX-ADHESIVE XP to create a reliable bond. If it is too high at the sides, for example, the sealing tray can be individually adapted using scissors.



Installation example: ISO-CONNECT EPDM SEALING TRAY

DIMENSIONS

ISO-CONNECT EPDM SEALING TRAYS are individually pre-shaped to size.

Please provide the following measurements when ordering:

- dimension W = width
- dimension D = depth
- dimension H = height

* The height is the same on all three sides and can be adjusted on site using scissors if necessary.

Can be supplied with butyl-adhesive strips on request.

