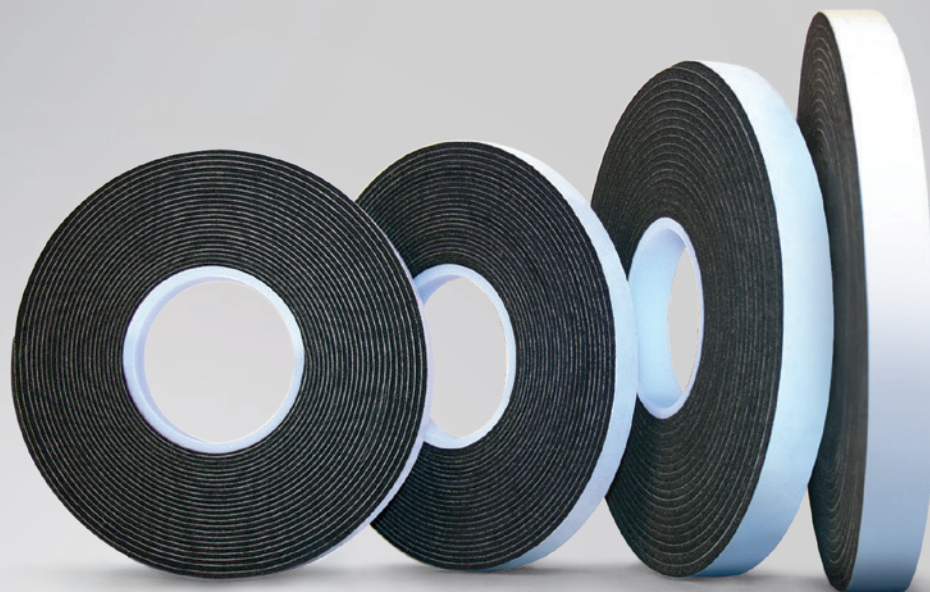


PRODUCT DATA SHEET

ISO-MEMBRA SX



PRODUCT DESCRIPTION

ISO-MEMBRA SX is a special sealing tape based on PUR-flexible foam, which is designed for the reliable sealing of moving joints with large joint tolerances and reliable internal and external sealing in log cabins. It complies with the requirements of the Building Energy Act (EnEV was valid 31.10.20) and the IFBS technical rules for lightweight metal construction. It performs as a highly efficient membrane seal, enabling joints from up to 18mm to be sealed with only 2 sizes of tape: the integrated membrane system ensures an improved sealant against driving rain, at the same time allows trapped building humidity to escape, avoiding damage caused through condensation.

APPLICATION

ISO-MEMBRA SX is outstandingly suitable for sealing joints within the following ranges:

- trapezoidal metal sheets, sandwich elements and metal structures
- timber, log cabins, solid and prefabricated building constructions
- external insulation systems (EWIS)

It is also suitable for sealing window connection joints in old and new building structures and log cabins.

SERVICE

- available at short notice from stock
- competent technical application advice

PRODUCT ADVANTAGES

- fulfils the requirements of the DIN 18542 BG 1 / BGR for large joint tolerances
- impermeable to driving rain in excess of 600 Pa
- integrated membrane system for improved sealing
- high continuous movement absorption
- vapour diffusion permeable
- weather-proof
- suitable for passive house construction
- acoustic and thermal insulating
- externally supervised by ift Rosenheim
- complies with the requirements of the Building Energy Act (EnEV was valid 31.10.20) and the recommendations of the RAL "installation guide"
- 10 Year Function Warranty*

* On the conditions of the manufacturer (available on request).

FINISHES

- Finish A: single side self-adhesive (assists application)
- Finish B: without self-adhesive (log cabins)

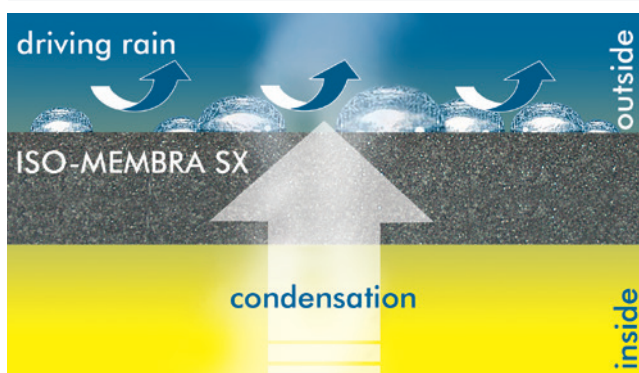
PACKAGING

pre-compressed rolls, one side self-adhesive (assists application)

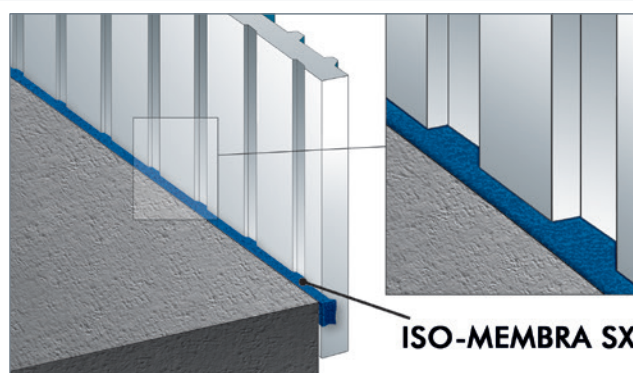


ISO-MEMBRA SX

Technical data	Standard	Classification
Colour		anthracite
Classification according to	DIN 18542	BG 1 and BGR
Building material class	DIN 4102	B1 (flame resistant)
Air permeability coefficient	DIN EN 12114	$\alpha < 0.1 \text{ m}^3 / [\text{h} \cdot \text{m} \cdot (\text{daPa})^0]$
Impermeable to driving rain on joints	DIN EN 1027	$\geq 600 \text{ Pa}$
Impermeable to driving rain on joint crossings	DIN EN 1027	$\geq 600 \text{ Pa}$
Thermal conductivity		$\lambda = 0.041 \text{ W/m} \cdot \text{K}$
Water vapour diffusion resistance μ	DIN 12572	≤ 100
Temperature change stability range	DIN 18542	-30°C to +90°C
Temperature stability range	DIN EN 12667	-40°C to +100°C
UV light and weather stability	DIN 18542	requirements fulfilled
Compatibility with adjacent building materials	DIN 18542	requirements fulfilled
Dimension tolerance	DIN 7715 T5 P3	requirements fulfilled
ETA - 08/0249		CE mark since 2008
Shelf life		1 year, dry and in original packing
Storage temperature		+1°C to +20°C



Performance principle of membrane seal



Installation example: sandwich elements



FOR METAL CONSTRUCTIONS

Tape width / area of application	Recommended joint width*	Carton (metres)
15 / 1 – 4 mm	1 – 4 mm	400.0
15 / 2 – 6 mm	2 – 6 mm	360.0
15 / 3 – 9 mm	3 – 9 mm	240.0
15 / 5 – 12 mm	5 – 12 mm	180.0
20 / 6 – 18 mm	6 – 18 mm	84.0

* Movement in the structure and temporary longitude changes are to be taken into account when determining the max. joint width.



FOR LOG CABINS**

Tape width / area of application	Recommended joint width	Carton (metres)
70 / 1 – 4 mm	1 – 4 mm	80.0
80 / 2 – 6 mm	2 – 6 mm	54.0
90 / 3 – 9 mm	3 – 9 mm	30.0

** ISO-MEMBRA SX „Finish B“ without elongation-protection, without self-adhesive.