

PRODUCT DATA SHEET

ISO-ZELL PE- AND PUR-CORD



PRODUCT DESCRIPTION

ISO-ZELL PE-CORD is a round seal, which fulfils the requirements of the DIN 18540 for backfill material on expanding joints. It consists of closed cellular polyethylene foam and is suitable for sealing against drafts and heat loss.

ISO-ZELL PE-CORD provides a reliable backfill on building joints and is characterised through its excellent compatibility with all standard sealing materials. Used as a backing support for sealants, 3-sided adhesion can be effectively eliminated.

APPLICATION

ISO-ZELL PE- and PUR-CORD are particularly suitable for plugging and as backfill material for sound absorption and sealing of:

- cavity filling
- construction and variable joints
- joint sealant
- U-Profile glass sealing

Due to its water-resistant surface ISO-ZELL PE-CORD can be used in both interior and exterior areas as backfill material. The neutral product properties and the closed cellular surface also make it suitable to use with porous materials.

PRODUCT ADVANTAGES

- fulfils the requirements of the DIN 18540 for backfill material on expanding joints
- PE-CORD tested to GEV-EMICODE®, certified as very low-emission (EC1^{PLUS})
- suitable for damp joints
- water and moisture resistant
- also suitable with porous materials
- minimises the joint depth and eliminates the 3-sided adhesion on back filled sealants (silicon, acryl, PUR etc.)
- compatible with all standard sealants (silicon, acryl etc.)
- elastic, flexible
- free from softeners
- ageing resistant

SERVICE

- standard sizes available from stock
- private label and / or special labelling available
- competent experienced technical support available in the field and by phone

PACKAGING

- 6 – 30 mm diameter: endless coils
- 40 – 50 mm diameter: 1 or 2 m long pieces



ISO-ZELL PE- AND PUR-CORD

Technical data	Standard	Classification
ISO-ZELL PE-CORD		
Material description		closed-celled PE foam
Colour		grey
Building material class	DIN 4102	B2
Density in kg/m ³	DIN 53420	30
Tensile-strength	DIN 53571	320 kPa
Elongation	DIN 53571	approx. 170%
Compression at 40%	DIN 53577	85 kPa
Water absorption	DIN 53428	≤ 1%
Temperature stability range	internal	approx. -40°C to approx. +60°C
Dimension tolerance	DIN 7715 T5 P3	requirements fulfilled
Shelf life		1 year, dry and in original packing
Storage temperature		+5°C to +20°C
ISO-ZELL PUR-CORD		
Material description		open-celled PUR foam
Colour		grey
Building material class	DIN 4102	B2
Density in kg/m ³	DIN EN ISO 845*	20 +/- 4
Tensile-strength	DIN EN ISO 1798*	≥ 100 kPa
Elongation	DIN EN ISO 1798*	≥ 60%
Temperature stability range	internal	approx. -40°C to approx. +60°C
Dimension tolerance	DIN 7715 T5 P3	requirements fulfilled
Shelf life		1 year, dry and in original packing
Storage temperature		+5°C to +20°C

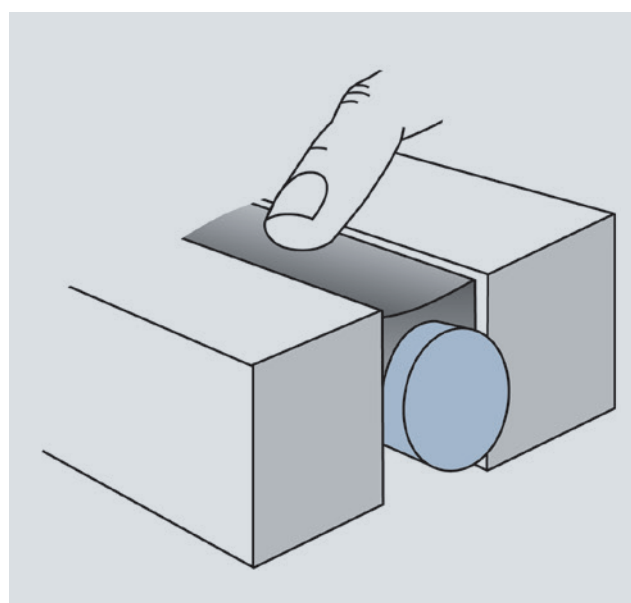
* In compliance with the relevant standards / test specifications / internal monitoring.

PREPARATION

Compress the ISO-ZELL PE- and PUR-CORD and insert in to the joint or cavity. Push it in until the desired joint depth is reached. For the joint to conform to DIN 18540, avoid stretching the cord when installing it and ensure any butt joints meet exactly. To avoid damage to the material it should not be installed using pointed instruments.

ISO-ZELL PUR-CORD

- characteristics: ISO-ZELL PUR-CORD is an open cellular polyurethane foam
- application: ISO-ZELL PUR-CORD is ideal as backfill material in internal joints which are not exposed to moisture
- form of delivery: 1 m long pieces, diameter: 15 – 50 mm



Installation example: ISO-ZELL PE-CORD

The details and information given in this literature are based on best current knowledge. They are intended to serve as general information only and it is advised that the user conducts their own tests for their specific set of conditions to determine the suitability of the product for its proposed use. No warranty or liability is given or implied regarding any part of these instructions or details, or the completeness of the information. We reserve the right to modify, or change, the specifications and information without advance notification. All goods are supplied subject to our standard conditions of sales, copies of which are available upon request.