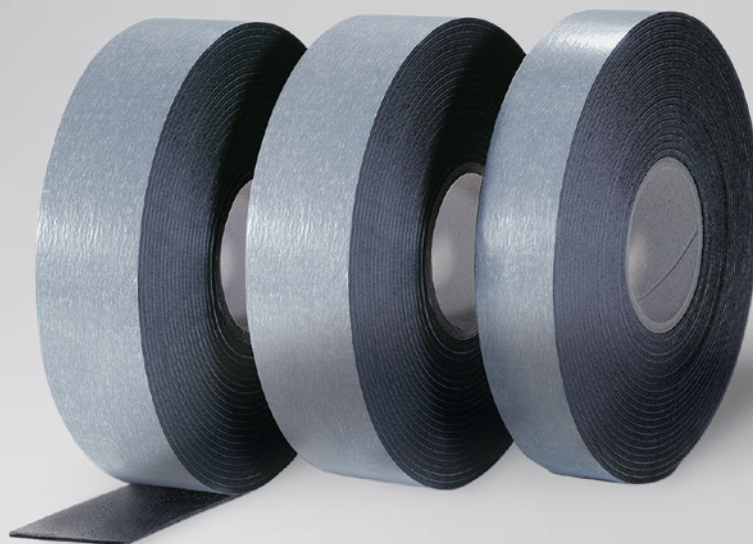


# PRODUCT DATA SHEET

## ISO-ZELL THERMAL TAPE



### PRODUCT DESCRIPTION

ISO-ZELL THERMAL TAPE is a specially designed thermal break decoupling tape. It consists of a self-adhesive coated PP-foam and distinguishes itself through its high compression resistance and its advantageous low heat conductivity. These properties plus a constant high quality allow efficient and dependable solutions in various installation situations with trapezoidal metal sheeting, sandwich panels and other metal construction methods.

### APPLICATION

ISO-ZELL THERMAL TAPE serves as a thermal break and for decoupling on trapezoidal metal sheets, sandwich elements and other metal construction methods. It is also used as a thermal barrier between building foundations and exterior shells in conjunction with:

- trapezoidal metal sheeting
- sandwich elements
- suspended facade elements
- cassette panelled walls

It can be used for walls as well as roofing.

### SERVICE

- standard sizes available from stock
- project related building site deliveries
- competent commercial and technical consultation

### PRODUCT ADVANTAGES

- complies with the the Building Energy Act (EnEV was vaild 31.10.20) and WSV (thermal insulation regulations)
- high compression resistance
- easy processing and handling
- high compression resistance
- easy processing and handling
- closed celled and smooth surface
- water resistant
- high ageing stability
- environmentally friendly – chemically neutral
- on rolls, one side self-adhesive for easy assembly
- complies with the IFBS technical rules for lightweight metal construction

### FINISHES

one side self-adhesive

### DIMENSIONS

thickness: 3 and 10mm

width: 30, 40, 50, 60, 80mm

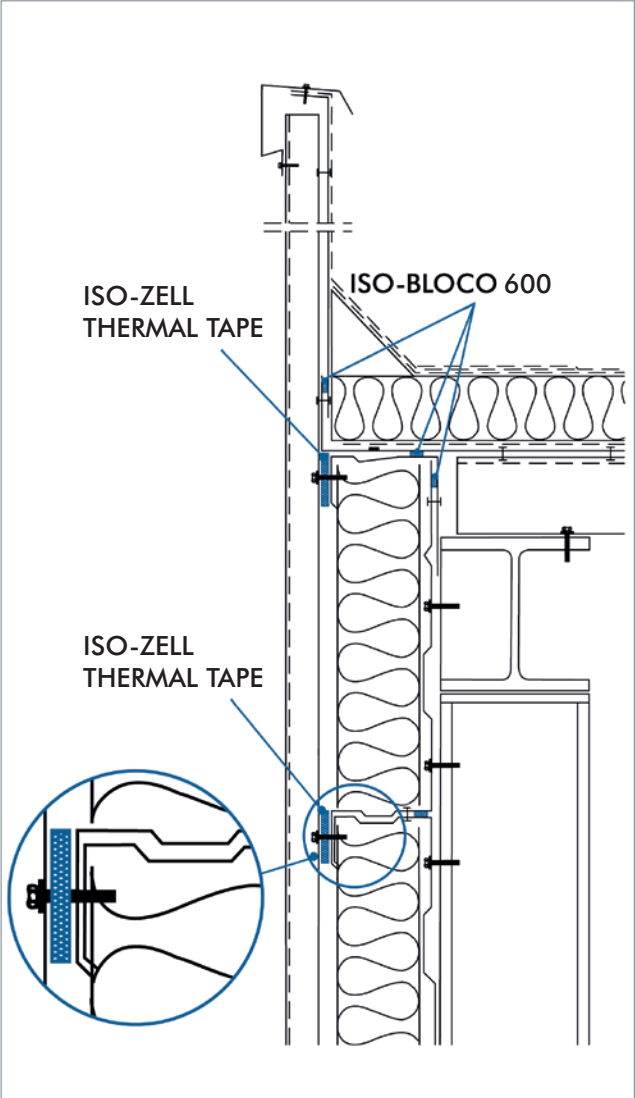
### PACKAGING

thickness 3 mm: rolls (25 m roll length)

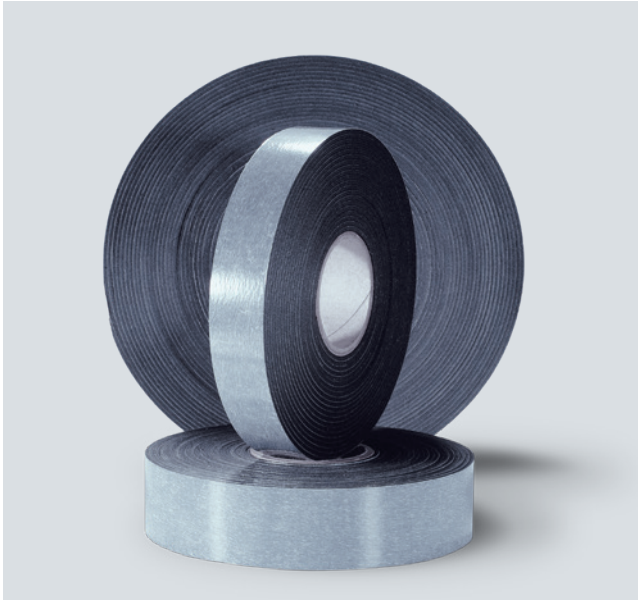
thickness 10 mm: bars (2 m)



# ISO-ZELL THERMAL TAPE



Installation example: ISO<sup>M</sup>-METAL BUILDING SEALING SYSTEM



The details and information given in this literature are based on best current knowledge. They are intended to serve as general information only and it is advised that the user conducts their own tests for their specific set of conditions to determine the suitability of the product for its proposed use. No warranty or liability is given or implied regarding any part of these instructions or details, or the completeness of the information. We reserve the right to modify, or change, the specifications and information without advance notification. All goods are supplied subject to our standard conditions of sales, copies of which are available upon request.